

TFP-1245 REPEATER PANEL WITH 72 ZONE INDICATORS

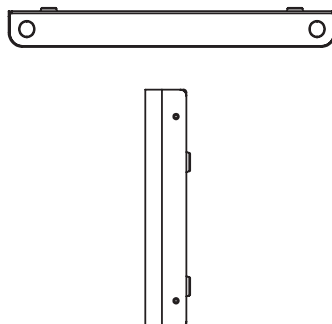
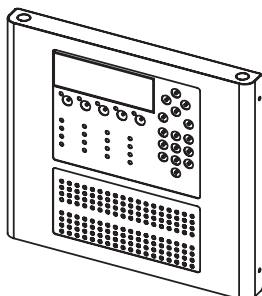
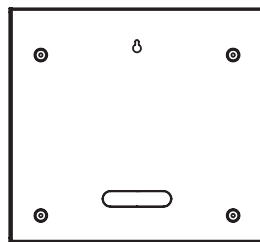
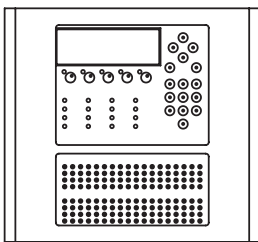
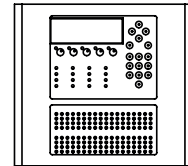


Teknim TFP-1245 repeater panel is developed to monitor and intervene fire detection systems from different points at large and medium scale enterprises. It can be connected approximately up to 1.000 meters distance from main panel over RS-485 communication layer. Slim and aesthetic design fits into any office environment, guard kiosk, reception desk etc. Power is supplied directly from the panel

without an external power supply. All features provided on the main panel are also available on the repeater panel. All 72 zones on a loop are displayed on LCD screen as well as LED indicator panel for 72 zones on TFP-1245 repeater panel.

GENERAL SPECIFICATIONS

- Easy to read, 240*64 wide LCD graphic display
- LED indicator for displaying alarms and errors
- User-friendly interface enables easy viewing of alarms, errors and warnings
- Easy connection with the main panel
- Real-time, stabilized communication via RS-485 communication structure
- Cable connection distance up to 1 Km with main panel
- Robust body, stylish design



TFP-1245 Technical Specifications

Zone Indicator	Yes (72 Zones)
Main Supply Voltage	24±4 VDC
Maximum Consumption	0,15A @24 VDC

Mechanics

Weight	3,9 kg
Dimensions (mm)	350 x 386 x40 mm
Body material and color	Metal - Light Grey and Red

Environmental

Operating Temperature	-10C ~ 55C
Humidity	95% RH
Protection Class	IP30